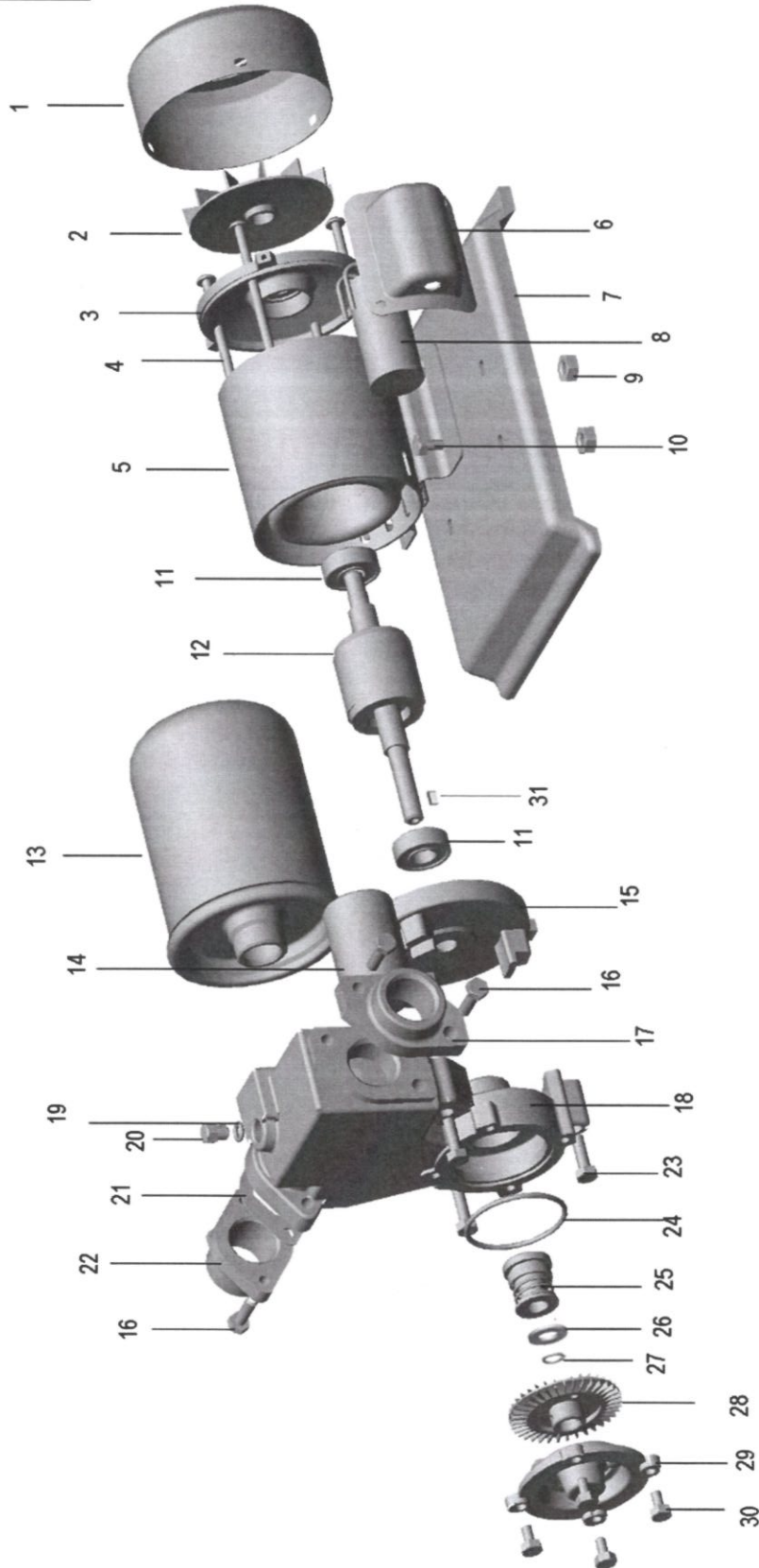
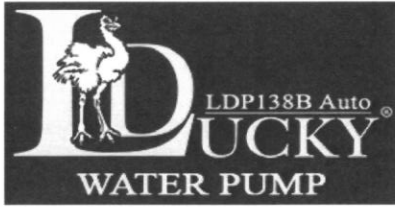


1" X 1" SELF-PRIMING AUTO BOOSTER WATER PUMP MODEL: LDP138B





1" X 1" SELF-PRIMING AUTO BOOSTER WATER PUMP MODEL: LDP138B

| ITEM NO. | STOCK CODE | DESCRIPTION |
|----------|------------|--------------------------|
| 1 | | FAN COVER |
| 2 | | FAN |
| 3 | | DRIVING CAP |
| 4 | | TIE ROD |
| 5 | | CASING WITH WOUND STATOR |
| 6 | | TERMINAL BOX |
| 7 | | PUMP BASE |
| 8 | | CAPACITOR |
| 9 | | NUT |
| 10 | | BOLT |
| 11 | | BEARING |
| 12 | | ROTOR |
| 13 | | PRESSURE TANK |
| 14 | | PRESSURE SWITCH |
| 15 | | PUMP SUPPORT |
| 16 | | BOLT |
| 17 | | OUT FLANGE |
| 18 | | PUMP CASING |
| 19 | | O RING |
| 20 | | CHARGE PLUG |
| 21 | | CHECK VALVE |
| 22 | | SUCTION FLANGE |
| 23 | | BOLT |
| 24 | | O RING |
| 25 | | SEAL |
| 26 | | WASHER |
| 27 | | JUMP RING |
| 28 | | IMPELLER |
| 29 | | IMPELLER COVER |
| 30 | | BOLT |