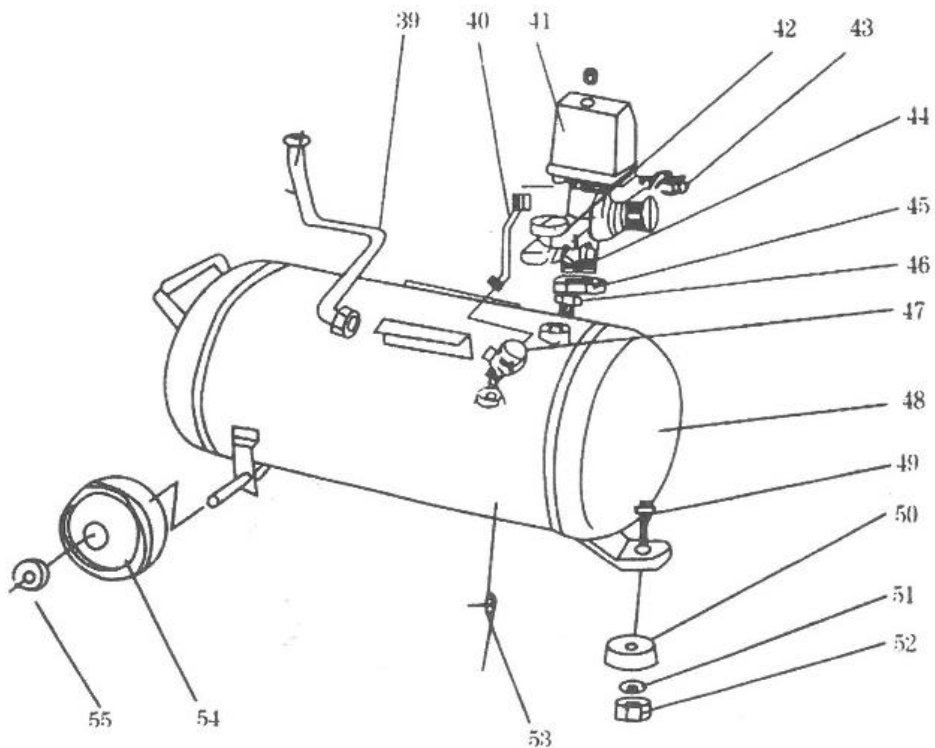
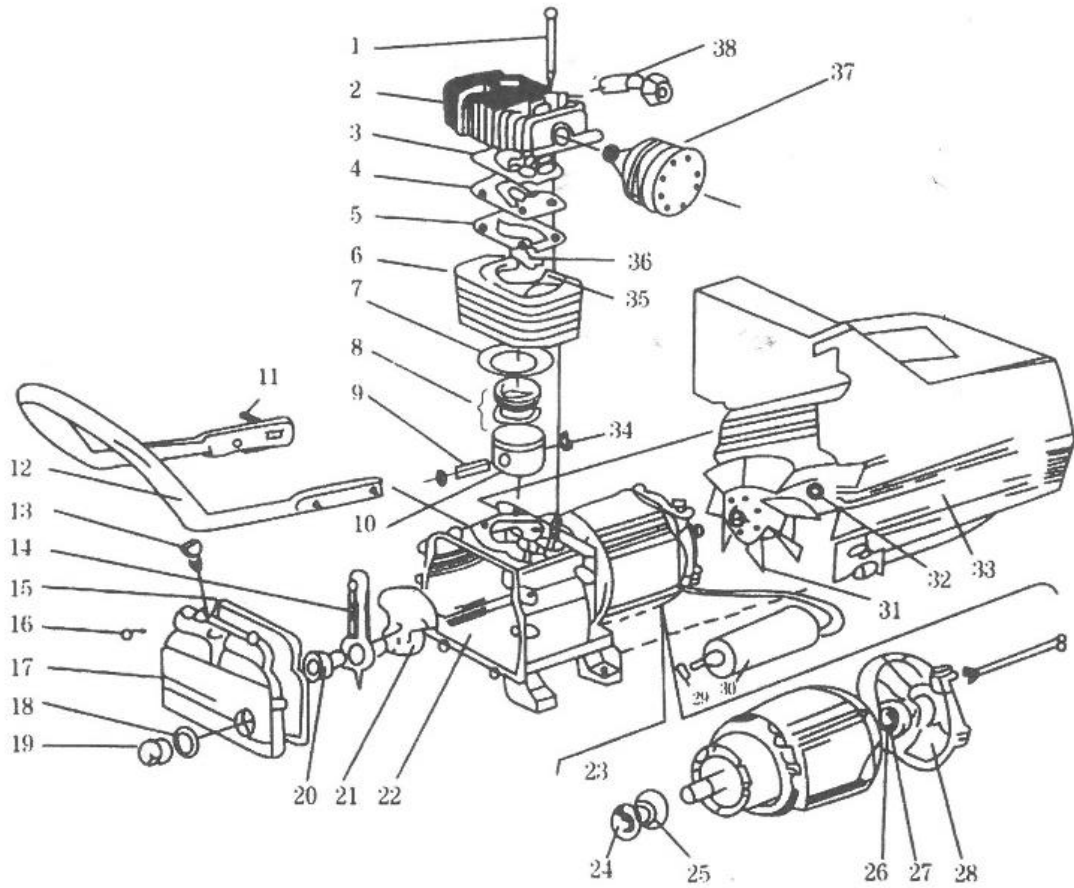




# DIRECT COUPLED AIR COMPRESSOR

## MODEL: DS2524 / DB3050





# DIRECT COUPLED AIR COMPRESSOR

## MODEL: DS2524 / DB3050

| NO   | STOCK CODE   | DESIGNATION   | QTY |
|------|--------------|---|-----|
| 1    | DS24DB5001   | BOLT M8 x 110   | 4   |
| 2    | DS24DB5002   | CYLINDER HEAD   | 1   |
| 3    | DS24DB5003   | CYLINDER HEAD GASKET                                      | 1   |
| 4    | DS24DB5004   | VALVE PLATE   | 1   |
| 5    | DS24DB5005   | VALVE GASKET  | 1   |
| 6    | DS24DB5006   | CYLINDER  | 1   |
| 7    | DS24DB5007   | CYLINDER GASKET   | 1   |
| 8    | DS24DB5008   | PISTON RING   | 3   |
| 9    | DS24DB5009   | PISTON PIN  | 1   |
| 10   | DS24DB5010   | PISTON  | 1   |
| 11   | DS24DB5011   | SCREW M5 x 14   | 4   |
| 12   | DS24DB5012   | HANDHOLD  | 1   |
| 13   | DS24DB5013   | BREATH PIPE   | 1   |
| 14   | DS24DB5014   | CONNECTING ROD  | 1   |
| 15   | DS24DB5015   | RUBBER GASKET   | 1   |
| 16   | DS24DB5016   | SCREW M5 x 14   | 6   |
| 17   | DS24DB5017   | CRANKCASE COVER   | 1   |
| 18   | DS24DB5018   | OIL LEVELER WASHER  | 1   |
| 19   | DS24DB5019   | OIL LEVELER   | 1   |
| 20   | DS24DB5020   | BOLT M8 x 22 – RIGHT                                      | 1   |
| 21   | DS24DB5021   | CRANK   | 1   |
| 22   | DS24DB5022   | CRANKCASE   | 1   |
|      | DS24DB501722 | #17 CRANKCASE COVER & # CRANKCASE<br>(CRANKCASE ASSEMBLY) |     |
| 23-1 | DS24DB5023-1 | ROTOR   | 1   |
| 23-2 | DS2423-2     | STATOR FOR DS2524   | 1   |
| 23-2 | DB5023-2     | STATOR FOR DB3050   |     |
| 24   | DS24DB5024   | SOALING RING/ BEARING WASHER                              | 1   |
| 25   | DS24DB5025   | BEARING 6204RS  | 1   |

|      |              |                                     |   |
|------|--------------|-------------------------------------|---|
| 26   | DS24DB5026   | BEARING 6202RS                      | 1 |
| 27   | DS24DB5027   | CORRUGATED WASHER                   | 1 |
| 28   | DS24DB5028   | MOTOR BRACKET                       | 1 |
| 29   | DS24DB5029   | NUT M8                              | 1 |
| 30   | DS24DB5030   | CAPACITOR                           | 1 |
| 31   | DS24DB5031   | FAN                                 | 1 |
| 32   | DS24DB5032   | CIRCLIP/ FAN LOCKING RING           | 1 |
| 33   | DS24DB5033   | FAN COVER                           | 1 |
| 34   | DS24DB5034   | CIRCLIP/ PISTON PIN LOCKING RING    | 2 |
| 35   | DS24DB5035   | LOCATING PIN                        | 2 |
| 36   | DS24DB5036   | VALVE CLACK/ VALVE PLATE            | 1 |
| 37   | DS24DB5037   | AIR FILTER                          | 1 |
| 38   | DS24DB5038   | CONNECTOR                           | 1 |
| 39   | DS24DB5039   | DISCHARGE PIPE                      | 1 |
| 40   | DS24DB5040   | RELEASE PIPE                        | 1 |
| 41   | DS24DB5041   | PRESSURE SWITCH                     | 1 |
| 42   | DS24DB5042   | PRESSURE GAUGE                      | 1 |
| 43   | DS24DB5043   | OUTLET VALVE                        | 2 |
| 44   | DS24DB5044   | SWITCH BRACKET                      | 1 |
| 45   | DS24DB5045   | CONNECTOR NUT/ ¼ SAFETY VALVE       | 1 |
| 46   | DS24DB5046   | DISCHARGE CONNECT                   | 1 |
| 47   | DS24DB5047   | UNILATERALISM VALVE/ UNRETURN VALVE | 1 |
| 48   | DS24DB5048   | AIR TANK                            | 1 |
| 49   | DS24DB5049   | BOLT M8 x 25                        | 1 |
| 50   | DS24DB5050   | WASHER RUBBER FOOT                  | 1 |
| 50A  | DS24DB5050A  | WASHER RUBBER FOOT ASSEMBLY         | 1 |
| 51   | DS24DB5051   | WASHER M8                           | 1 |
| 52   | DS24DB5052   | NUT M8                              | 1 |
| 53   | DS24DB5053   | DRAIN COCK                          | 1 |
| 54   | DS2454       | WHEEL (SMALL) FOR DS2524            | 2 |
| 54   | DB5054       | WHEEL (BIG) FOR DB3050              | 2 |
| 54WS | DS24DB5054WS | WHEEL SCREW SET                     | 2 |
| 55   | DS24DB5055   | WHEEL COVER PIECE                   | 2 |
| 56   | DS24DB5056   | PRESSURE SEAL VALVE/ VALVE SLICE    |   |